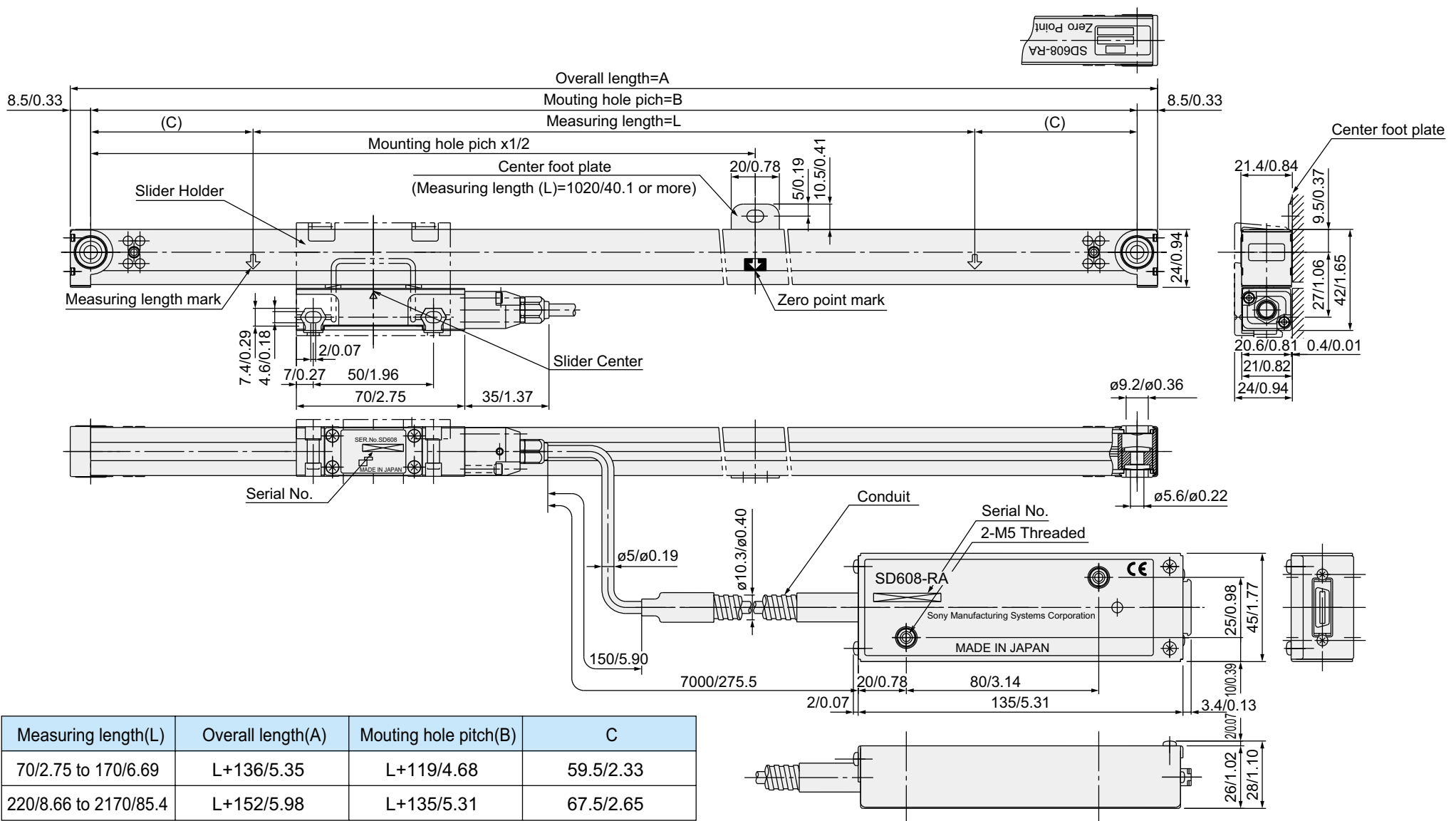


■ Dimensions



Measuring length(L)	Overall length(A)	Mouting hole pitch(B)	C
70/2.75 to 170/6.69	L+136/5.35	L+119/4.68	59.5/2.33
220/8.66 to 2170/85.4	L+152/5.98	L+135/5.31	67.5/2.65

Unit : mm/inch