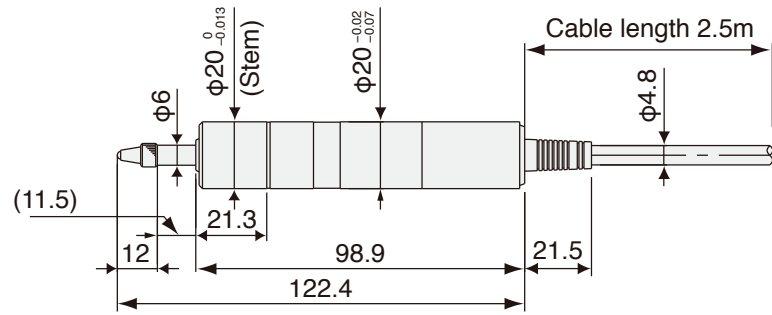
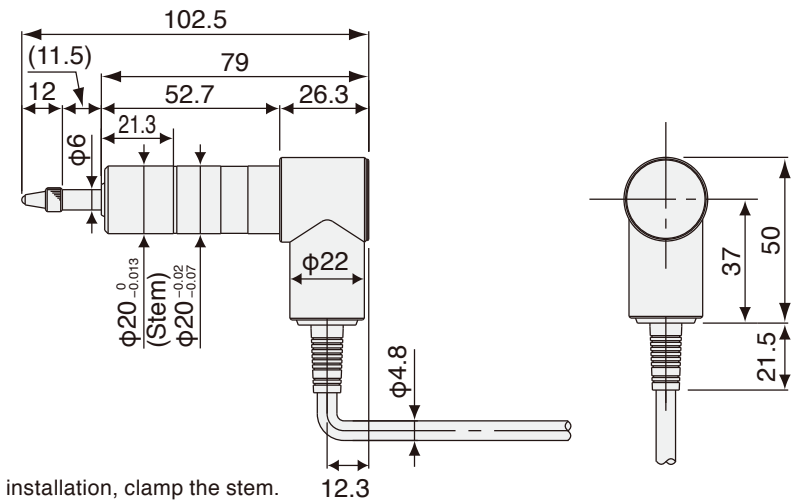


DK10NR5/PR5



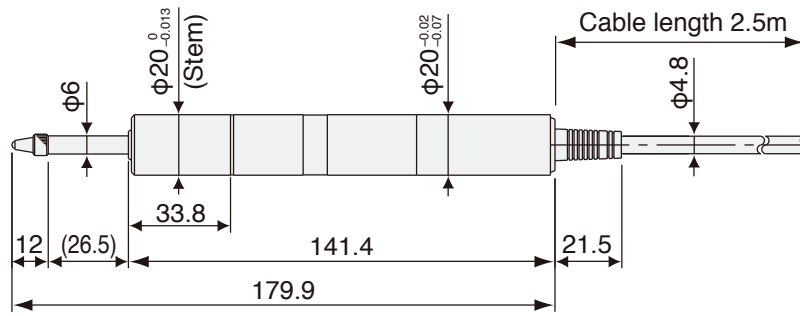
* Upon installation, clamp the stem.

DK10PLR5



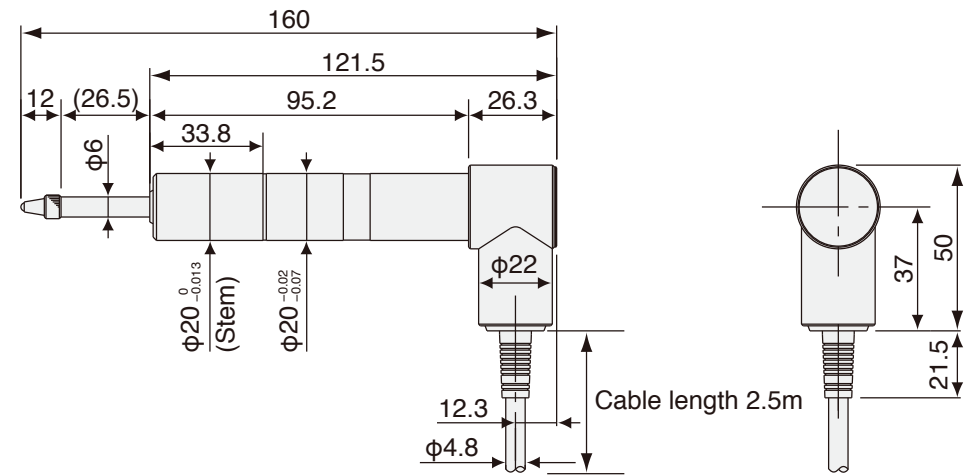
* Upon installation, clamp the stem.

DK25NR5/PR5



* Upon installation, clamp the stem.

DK25NLR5/PLR5



* Upon installation, clamp the stem.

Unit: mm

