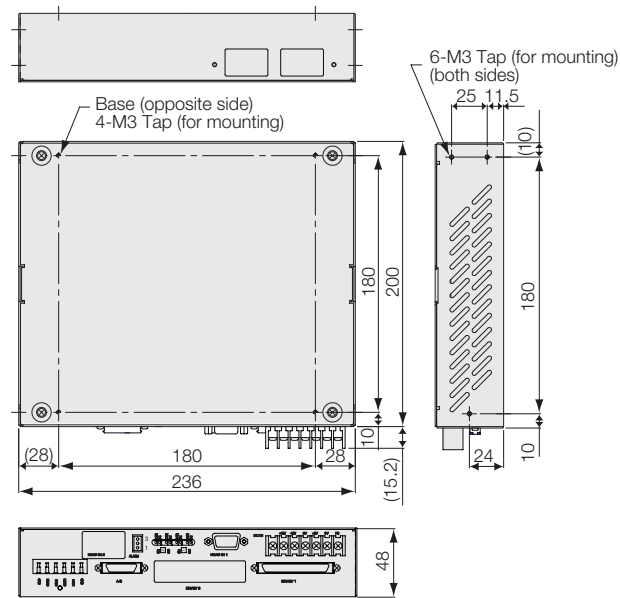
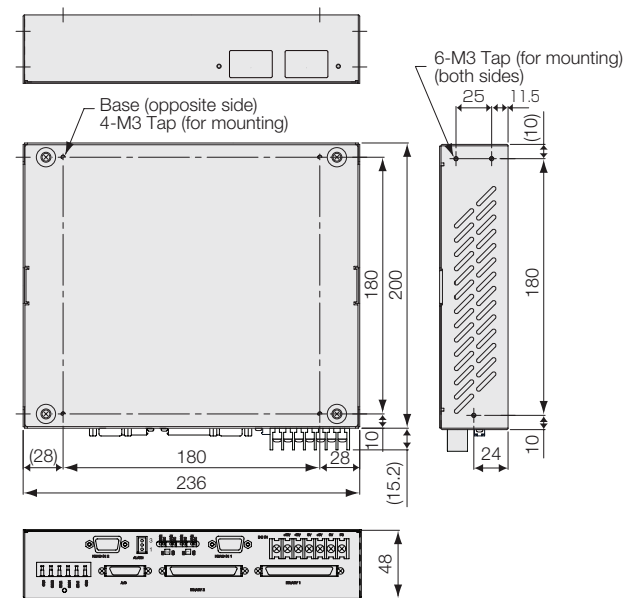


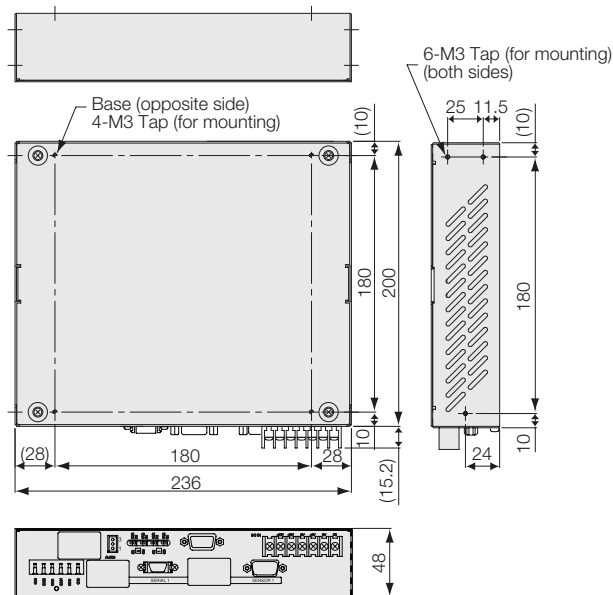
●BD96-B1



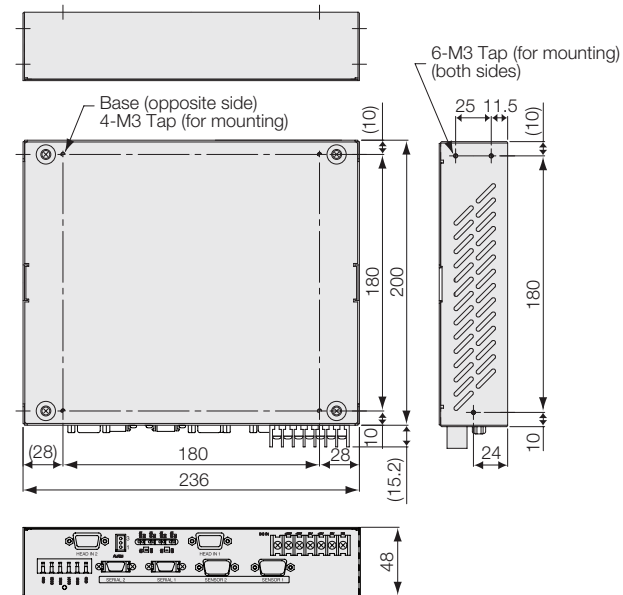
●BD96-B2



●BD96-Y1/M1



●BD96-Y2/M2



Unit: mm

*2 External dimensions of the 1- and 2-axis are identical.