

Scale for milling machines

- Magnetic principle
- Excellent resistance to workshop conditions (IP54).
Resistant to oil, dirt, vibrations and shocks.
- Same coefficient of expansion as that of machine tools.
- Measuring length: 150 mm to 1600 mm / 5.9" to 62.9"
- Accuracy: $\pm 10 \mu\text{m}$
- Resolution: $5 \mu\text{m}$
- Cost-effective scale for digital readout

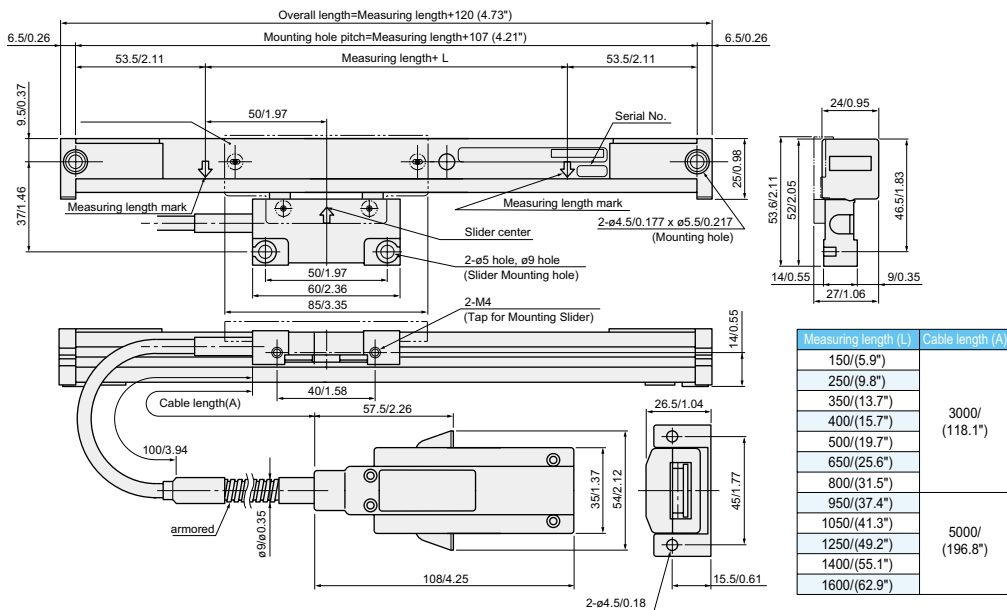


Specifications

Model	SJ700-015 to -080	SJ700-095 to -125	SJ700-140 to -160
Measuring length L mm (inch)	150/250/350/400/500/650/800 (5.9/9.8/13.7/15.7/19.7/25.6/31.5)	950/1050/1250 (37.4/41.3/49.2)	1400/1600 (55.1/62.9)
Overall length	L + 120 mm/ 4.73"		
Max. travel	L + 20 mm/ 0.78" (10 mm/ 0.39" on both ends)		
Accuracy (at 20 °C / 68 °F)	$\pm 10 \mu\text{m}$		$\pm 15 \mu\text{m}$
Resolution	5 μm		
Repeatability	± 1 count		
Protective design grade	Equivalent to IP54		
Operating temperature	0 °C to 40 °C / 32 °F to 104 °F		
Storage temperature	-20 °C to 60 °C / -4 °F to 140 °F		
Operating humidity	90% (condensation allowable)		
Storage humidity	90%		
Vibration resistance	*20 m/ s ² , 50 Hz to 2 KHz		
Shock resistance	*600 m/ s ² , 11 mm/ s		
Cable length	3 m/ 9.8' armored		5 m/ 16.4' armored

*Data shown by our test.

Dimensions



Unit : mm/inch