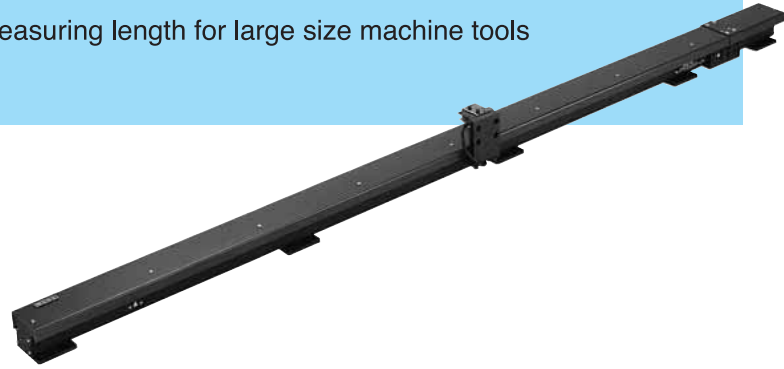


# MSS

# MSS-101

Scale with a long measuring length for large size machine tools

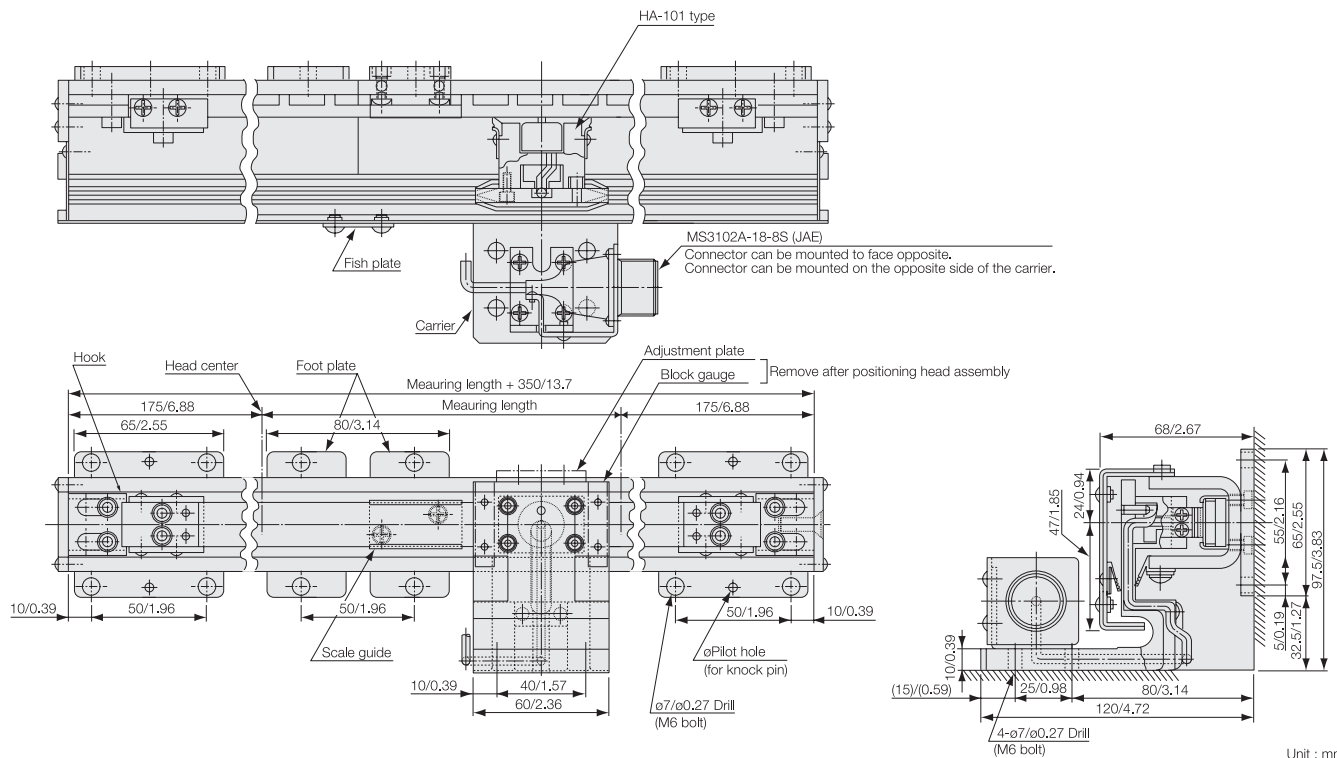


- Magnetic principle
- Excellent resistance to workshop conditions (IP54).  
Resistant to oil, dirt, vibration, and shock.
- Accuracy: (5+5L/1000)μm
- Resolution: 0.5 μm
- Measuring length up to 30 m / 1181.1"

Scale	Head/Cable	Adapter	Counter
MSS-101	CE07	SZ51-MS01 +SZ70-1	LH71/72 LY71/72

**MAGNESCALE®**

## Dimensions



## Specifications

Model	MSS-101
Measuring length L mm (inch)	3200 to 30000 (125.9 to 1181.1)
Overall length	L + 350 mm / 13.8"
Max. travel	L + 90 mm / 3.54"
Accuracy (at 20 °C / 68 °F)	(5+5L/1000)μm
Resolution	0.5 μm
Max. response speed	30 m / min
Mounting parallelism	Within 0.1 mm / 0.004"
Expansion coefficient	(11 ± 1) × 10 <sup>-6</sup> / °C
Protective design grade	Equivalent to IP54
Operating temperature	-5 °C to 40 °C / 23 °F to 104 °F
Storage temperature	-10 °C to 50 °C / 14 °F to 122 °F
Compatible read head	HA-101 or HA-101V

\*Reader head is sold separately.