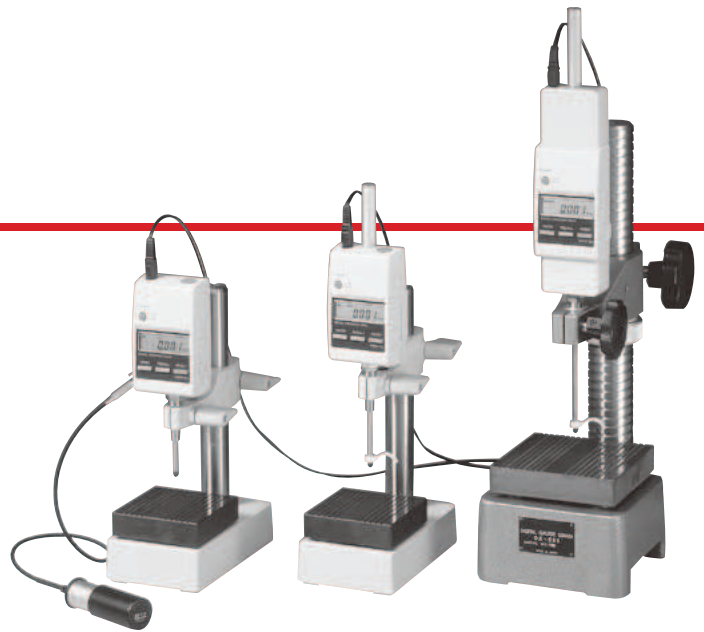


U

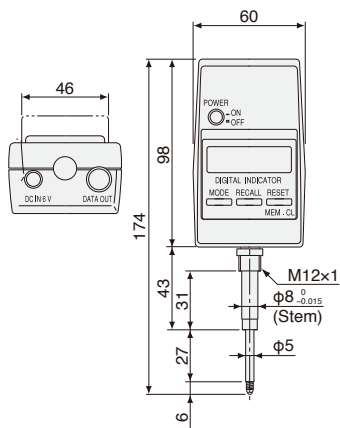
U Series

- Resolution
1μm
- Stem
φ8
- Stroke
12mm
- Stroke
30mm
- Stroke
60mm
- Output
RS-232C

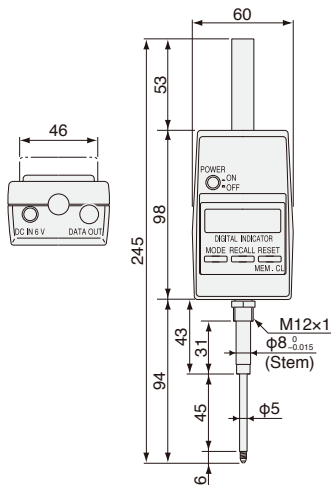


* Set bushing DZ-811 (optional) is required to use U60B with gauging stand DZ-501.
* The air release and the gauging stand are optional accessories.

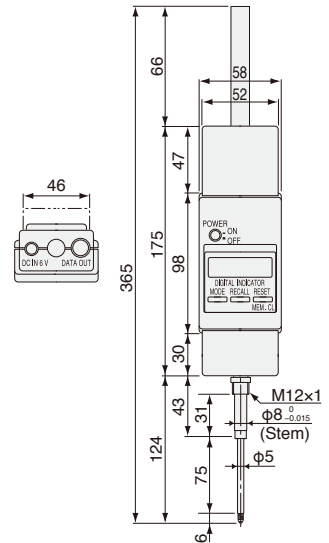
U12B



U30B



U60B



Unit: mm

Specifications

Model	U12B	U30B	U60B
Measuring range	12 mm	30 mm	60 mm
Maximum resolution	1 μm		
Accuracy (at 20°C/68°F)	2 μm		3 μm
Measuring force (at 20°C/68°F)	1.3 N or less	1.5 N or less	2.2 N or less
Travel length of the release	Full stroke		32 mm
Display	LCD display element (6 digits, minus display)		
Maximum response speed	0.4 m/s (24 m/min)		
Operating temperature	0 to 40°C (no condensation)		
Storage temperature	-10 to 50°C (no condensation)		
Power supply	6 VDC±10 % (With DC IN jack) 6 to 9 VDC±10 % (With data connector used)		
Power consumption	1 W		
Mass	Approx. 190 g	Approx. 230 g	Approx. 300 g
Feeler	Carbide ball tip, Mounting screw M2.5		
Accessories	Instruction Manual, AC adapter available (We DO NOT provide an AC adaptor with these.), lift lever, and dedicated spanner		